

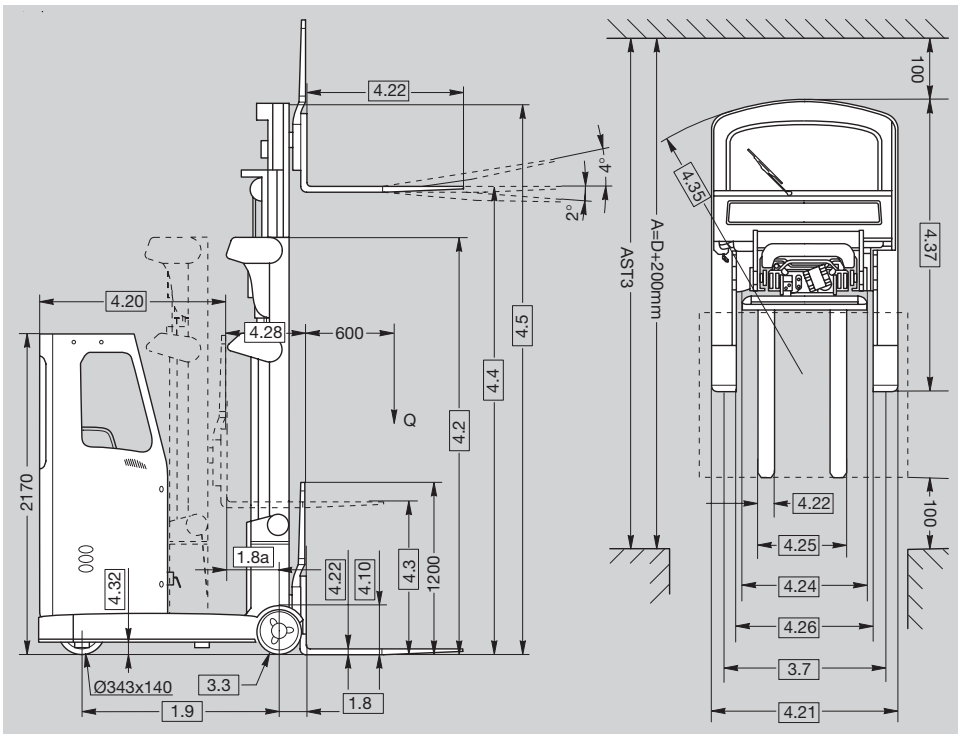
CROWN

# ESR 4500

Cold Store Cabin

S e r i e s





**Capacity**

At a 600 mm load centre:  
 Model ESR 4500-1.4 – 1400 kg  
 Model ESR 4500-1.6 – 1600 kg  
 Model ESR 4500-2.0 – 2000 kg

**Batteries / Electrical System**

48V with nominal capacities of 560 to 840 Ah. The battery is pulled out of the chassis with the reach carriage and can be removed vertically.

**Standard Truck Equipment**

1. Refer to ESR 4500 Series Specifications for a complete list of standard equipm.
2. Battery options 2, 3 and 4 only.
3. Truck chassis structure protected with special corrosion preventive compound.
4. Cold store conditioning including special lubricants, sealed or treated electrical components, heated micro-switches, non-corrosive wear strips.

**Standard Cabin Equipment**

1. Thermostat controlled heater (1500 W max, 750 W continuous).
2. Metal cabin with ram protection for the door.
3. Automatic cut-off of heating when door is open.
4. Heated laminated safety glass windows.
5. Electric wipers on front and rear windows.
6. Manual roof wiper.
7. Back and side emergency exit thru windows.
8. Interior light.
9. 12V DC-DC converter.
10. Comfortable seat with stitched cloth.

**Optional Truck Equipment**

1. Refer to ESR 4500 Series Specifications for a complete list of truck options.
2. Colour monitor.
3. Battery rollers for horizontal battery extraction.

**Optional Cabin Equipment**

1. Heated roof window.
2. Front or rear 12 V work lights.
3. Flashing beacon.
4. PVC seat, with or without heated cushion and back (on/off switch).

1.2 Model		ESR 4500 Cold Store Cabin		
1.5 Load Capacity		Q	t	1.4    1.6    2.0
1.8a Load Distance	mast retracted	x1	mm	see table
1.8 Load Distance	mast extended	x	mm	189    212    217
2.1 Weight	less battery	kg	kg	2875    2900    2980
4.7 Overhead Guard Height		h6	mm	2170
4.20 Headlength		l2	mm	see table
4.21 Overall Width	front / rear	b1 / b2	mm	1280 / 1285, 1425
4.28 Reach		l4	mm	see table
4.33 Working Aisle Width		Ast	mm	see table
4.35 Turning Radius		Wa	mm	1764    1854    1854
4.37 Length over Outriggers		l7	mm	1905    2023    2023
6.3 Max. Battery Box Size		lxhwx	mm	see table
6.4 Battery Voltage		V / Ah		48 / see table
6.5 Battery Weight			kg	see table

Truck Specification 1285 mm Width (b2)	6.4 560 Ah / 700 Ah / 840 Ah	4.20 Headlength l2	1.8a Load Dist. x1	4.28 Reach l4	Load Size		4.33 & 4.34 Working Aisle Width			6.3 Battery Size lxhwx	6.5 Battery Weight + 5 %							
					Length	Width	intrusive	non-intrus.	AST3 VDI 2198									
1400	560 Ah	1445	312	502	800	1200	2453	2652	2699	opt. 2 1223x784x355	939							
					1200	800	2853	2929	2929									
					1000	1200	2653	2828	2851									
	700 Ah	1517	240	430	800	1200	2525	2715	2751	opt. 3 1223x784x427	1119							
					1200	800	2925	2996	2996									
					1000	1200	2725	2892	2910									
					1200	1000	2925	3033	3035									
					1600	560 Ah	1445	407	619			800	1200	2447	2652	2723	opt. 2 1223x784x355	939
												1200	800	2847	2929	2930		
1000	1200	2647	2828	2865														
700 Ah	1517	335	547	800	1200	2519	2715	2772	opt. 3 1223x784x427	1119								
				1200	800	2919	2996	2997										
				1000	1200	2719	2892	2922										
				1200	1000	2919	3033	3038										
				840 Ah	1589	263	475	800			1200	2591	2778	2823	opt. 4 1223x784x499	1306		
								1200			800	2991	3064	3064				
1000	1200	2791	2957					2980										
2000	560 Ah	1450	402	619	800	1200	2452	2656	2726	opt. 2 1223x784x355	939							
					1200	800	2852	2934	2935									
					1000	1200	2652	2833	2869									
	700 Ah	1522	330	547	800	1200	2524	2719	2775	opt. 3 1223x784x427	1119							
					1200	800	2924	3001	3001									
					1000	1200	2724	2897	2926									
					1200	1000	2924	3038	3043									
					840 Ah	1594	258	475	800			1200	2596	2783	2827	opt. 4 1223x784x499	1306	
									1200			800	2996	3068	3068			
	1000	1200	2796	2984					2984									
	1200	1000				800	1200	2996	3104	3107								

**Crown  
European Headquarters**

Moosacher Strasse 52  
80809 Munich  
Germany  
**Tel** +49(0)89-93002-0  
**Fax** +49(0)89-93002-133

**German Locations:**

Hamburg  
Berlin  
Hanover  
Cologne  
Dortmund  
Frankfurt  
Stuttgart  
Nuremberg  
Munich

**Crown Lift Trucks Ltd.**

Fishponds Road  
Wokingham  
Berkshire RG41 2JT  
United Kingdom  
**Tel** +44(0)118-989-8700/8800  
**Fax** +44(0)118-989-8799/8899

**Crown Lift Trucks Ltd.**

The Quay Centre  
West Quay Road  
Winwick Quay  
Warrington  
Cheshire WA2 8TS  
United Kingdom  
**Tel** +44(0)1925-425600  
**Fax** +44(0)1925-425656

**Crown Lift Trucks Ltd.**

Unit 1355  
Park Avenue  
Aztec West  
Almondsbury  
Bristol BS32 4RX  
United Kingdom  
**Tel** +44(0)1454-618005  
**Fax** +44(0)1454-618070

**Crown Handling NV**

Satenrozen 12  
2550 Kontich  
Belgium  
**Tel** +32(0)3-4507171  
**Fax** +32(0)3-4507181

**Crown Intern Transport BV**

Damsluisweg 75  
1332 EB Almere  
Netherlands  
**Tel** +31(0)36-5494180  
**Fax** +31(0)36-5494276

**Safety Regulations**

Conforms to European safety standards.  
Dimensions and performance data given may vary due to manufacturing tolerances.  
Performance is based upon an average size vehicle and is affected by weight, condition of truck, how it is equipped and the conditions of the operating area. Crown products and specifications are subject to change without notice.



**www.crown.com**

Because Crown is continually improving its products, specifications are subject to change without notice.

Crown, the Momentum symbol, X10, The X10 Handle, the stylised X10 logo, Access 1 2 3<sup>®</sup>, InfoPoint and Work Assist are trademarks of Crown Equipment Corporation.

Copyright 2004 Crown Equipment Corporation  
ESR4500 Cab BROCH GB 06/04, 30 - M01464-006-00  
Printed in Germany